

MH SNK EF C TO

MANHATTAN Tap Range Manhattan Easyfit Mono Sink Mixer Chrome Tap Only



Specification

Product Type:	Kitchen Taps
Main Construction Material:	Brass
Mount Type:	Deck Mounted
Handle Type:	Lever
Connection Inlet:	1/2" BSP Flexible Tails
Connection Outlet:	
Number of Tap Holes:	1
Valve/Cartridge Type:	1/2" Ceramic Disc Valves
Plumbing System Requirements:	All, Preferably Balanced
Working Pressure Range:	Min 0.3 Bar, Max 5.0 Bar
Maximum Hot Water Temperature: °C	65
Maximum Static Pressure: (bar)	10
Flow Type:	Dual Flow
Isolation Included:	Yes

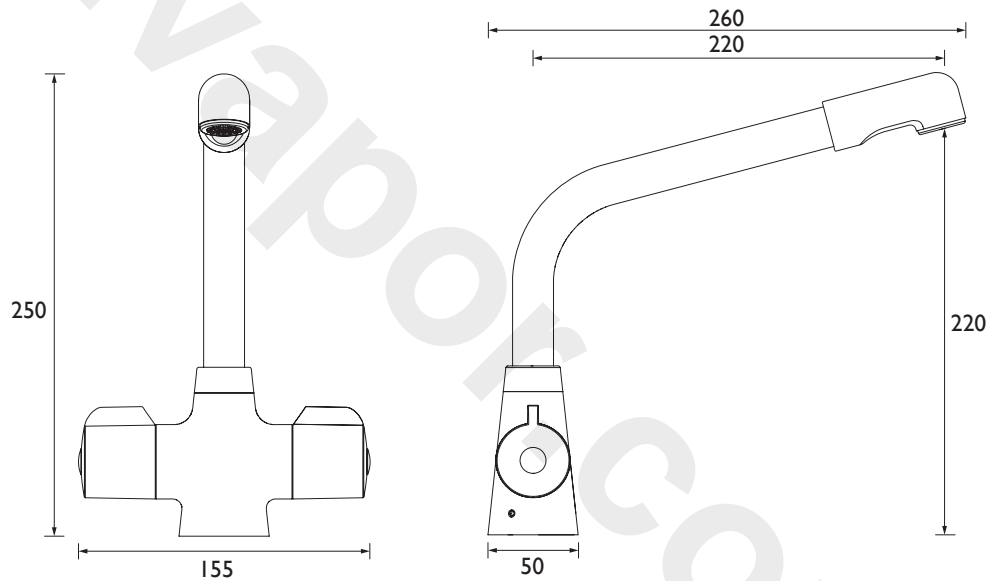
Features:

- Long life and easy to use 1/4 turn ceramic disc valves
- Metal fixing nut for added durability
- Product supplied without Easyfit base

Product Certifications:



Dimensions (measurements in mm)



For more products, visit our website:
<http://www.bristan.com>



Flow Rates (l/min)

System Pressure (bar)	0.2	0.5	1	2	3	5
MH SNK EF C TO	10.6	13.7	18.8	27.2	33.6	43.4

TECHNICAL DATA SHEET



BRISTAN

TAPS & SHOWERS

D1